

Name _____

Company _____

Address _____

City _____ State _____ ZIP _____

Email _____ Tel. _____ Fax _____

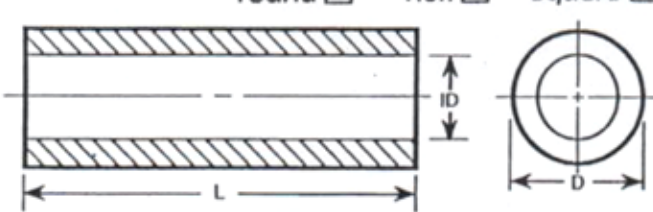
Industry PN _____ or Your PN _____

FAX TRANSMITTAL

PN _____

Material _____ **SPACERS**

Shape round hex square



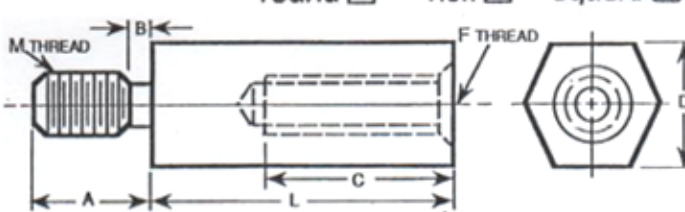
L _____ D _____

ID _____ Qty _____

PN _____

Material _____ **MALE-FEMALE STANDOFFS**

Shape round hex square



L _____ D _____ A _____

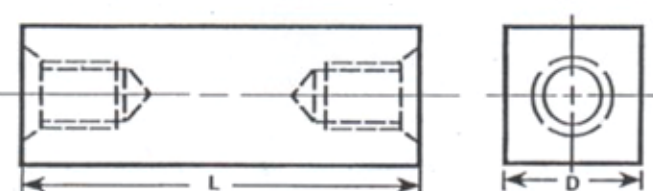
B _____ C _____ M Thread _____

F Thread _____ Qty _____

PN _____

Material _____ **DOUBLE END STANDOFFS**

Shape round hex square



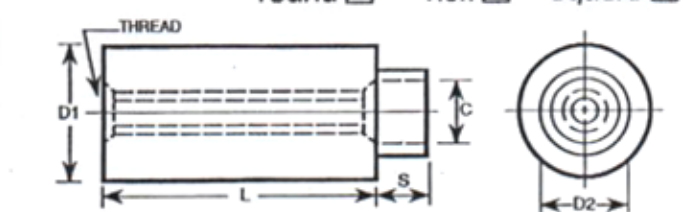
L _____ D _____

Thread Size _____ Qty _____

PN _____

Material _____ **SWAGE STANDOFFS**

Shape round hex square



L _____ Thread _____ S _____

D1 _____ D2 _____ C _____

Qty _____